



Model Number

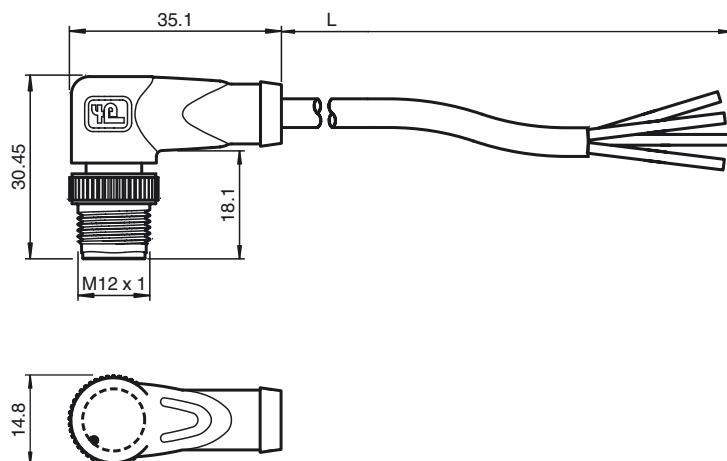
V1S-W-YE2M-PVC-U

Cable connector, M12, 4-pin, PVC cable

Features

- UL Recognized Component
- Knurled nut suitable for tool assembly
- Immunity to vibration, with mechanical latching
- Gold-plated and machined contacts
- Protection degree IP67 / IP68 / IP69K
- Flame resistant cable

Dimensions



Technical data

General specifications

| | |
|---------------------|----------------|
| Number of pins | 4 |
| Connection 1 | Male connector |
| Construction type 1 | right angle |
| Threading 1 | M12 |
| Connection 2 | cable end |
| UL File Number | E231213 |

Electrical specifications

| | | |
|--------------------|-------|------------------|
| Operating voltage | U_B | max. 250 V AC/DC |
| Operating current | | max. 4 A |
| Contact resistance | | < 10 mΩ |

Ambient conditions

| | |
|---------------------|--|
| Ambient temperature | Body: -40 ... 90 °C (-40 ... 194 °F) cable, flexing: -25 ... 80 °C (-13 ... 176 °F) cable, fixed: -5 ... 80 °C (23 ... 176 °F) |
| Pollution Degree | 3 |

Mechanical specifications

| | |
|------------------------|---|
| Pin diameter | 1 mm |
| Protection degree | IP67 / IP68 / IP69K |
| Material | |
| Contacts | CuSn / Au |
| Contact surface | Au |
| Body | TPU, black |
| Cable | PVC |
| Sleeve connector | Diecast zinc |
| Core insulation | PVC |
| Cable | fine-strand, flexible |
| Sheath diameter | Ø 4.3 mm |
| Bending radius | > 15 x cable diameter, induced > 5 x cable diameter, fixed |
| Color | yellow |
| Cores | 4 x 0.34 mm ² |
| Conductor construction | 19 x 0.15 mm Ø |
| Length | L 2 m |
| Flammability | |
| Contact material | 94 HB |
| Housing | 94 V-2 |
| Cable | FT1 |

Compliance with standards and directives

| | |
|---------------------|----------------------|
| Standard conformity | |
| Protection degree | EN 60529:2000 |
| Standards | IEC 61076-2-101:2008 |

Electrical connection





Flammability

Body: UL 94
Line: UL 1581 Section 1061; IEC 60332-1-2:2004

Approvals and certificates

UL approval cURus AWM 2095 AWM I/II A/B 80°C 300V FT1 (cable)

Release date: 2013-08-14 16:55 Date of issue: 2013-08-14 456422_eng.xml